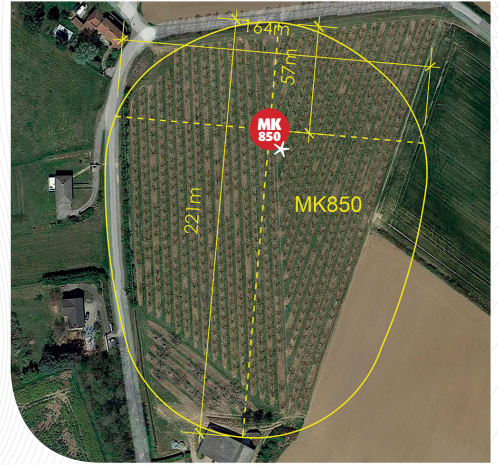




MobileWindMachine MK850



* PROTECTION ZONE

7,5

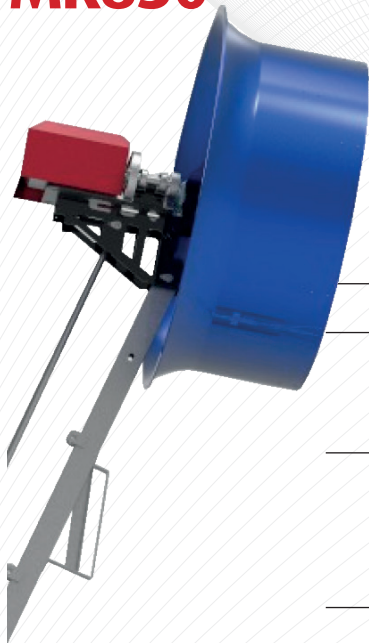
5 ha

4

3,5

3

1,5



MK 850

**MOTOR > ELECTRIC 30 Kw
+ DIESEL GENERATOR**
TANK > 200 litres
CONSUMPTION > 5 l/h

TRANSPORT > Tractor or SUV

SETUP > 180° / 360°

STABILITY > 4 telescopic legs

TOWER OPERATION > Hydraulic

PROPELLER MATERIAL > Cast aluminium

PROPELLED AIR SPEED > 36 m/s (128km/h)

SOUND LEVEL > 55 dB / 300 m

CONTROLLER > Standard

OPERATION > Automatic start via temperature probes
in the upper and in the lower part

SECURITY > Anemometer

MAINTENANCE > Lubrication and refueling
can be done in lowered position

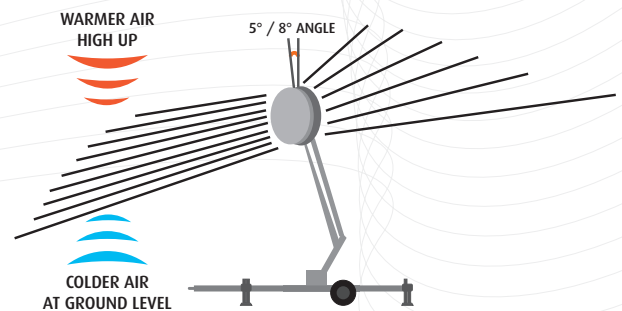
TRACING CONTROL > Remotely via smartphone or PC
(subscription required)

MK850

This mobile wind machine can be placed on flat lands, in valleys or mountains.

Thanks to the modifiable angle of the fan, the anti-frost tower allows optimal protection.

MK850 does not require support base or building permits, it is incredibly quiet and has low energy consumption.



- 1) IN ORDER TO BENEFIT FROM THERMAL INVERSION, the tower must be put into operation when the temperature is still positive between +0,5° and +1,5° (wet temperature).
- 2) The use of heater when the temperature reaches the critical point, allows an increase to +2°C of the temperature of the protected area.
- 3) With black frost, without thermal inversion, the use of the tower with an external heat source is essential.